

# HYDRAULIC TORQUE WRENCH HEX DRIVE TYPE (HTX SERIES)



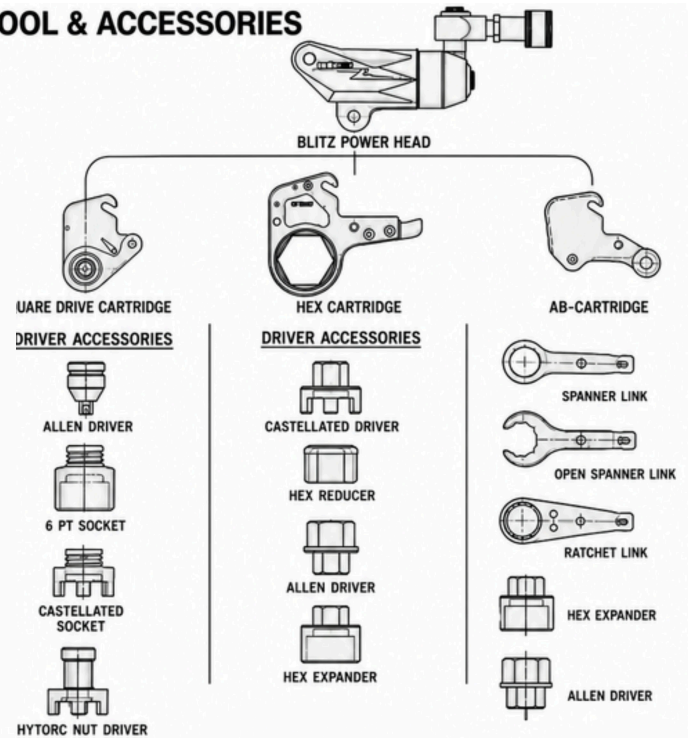
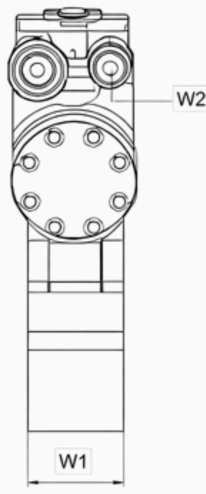
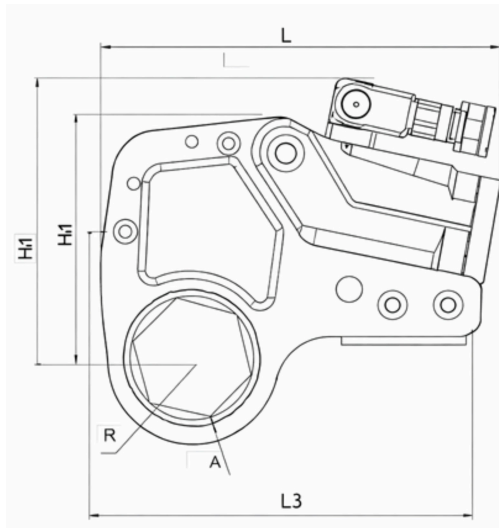
Limited Clearance torque wrench (HTX)

- Convertible design
- Light weight TITAL399 alloy body
- 360 x 360 degree hose uni swivels
- In line reaction
- Anti backlash pawl
- Biggertooth design
- Attachments for all applications.



Made in India Designed, Manufactured and assembled in INDIA with world class quality standards.

## TOOL & ACCESSORIES



Specification	HTX-3	HTX-6	HTX-9	HTX-20	HTX-25	HTX-40
Torque Min - Max (Nm)	244-2534	489-5392	1017-10452	1724-17926	2247-22899	4064-40639
Accuracy (%)	±3	±3	±3	±3	±3	±3
Weight (Kg)	2.2	5	9.6	16.9	22.9	38
L1 (mm)	205	251.3	302.5	367	400.5	457.5
L2 (mm)	147	188	223	283	306	364
H1 (mm)	129	163	189	218	246	282
H2 (mm)	100	136	166	198	224	265
W1 (mm)	32	41	52	65	70	84
W2 (mm)	24	33	47	58	62	84
R (mm)	41.3	53.8	71	90.5	99.8	115.8