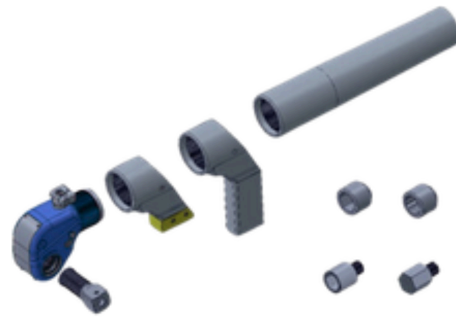


# HYDRAULIC TORQUE WRENCH SQUARE DRIVE TYPE (HT SERIES)



- Square drive sizes from 1/2" to 3 1/2"
- Light weight TITAL399 alloy body
- 360 x 180° Hose swivels
- 60 point adjustable click on type reaction arm
- Anti-backlash pawl
- Bigger tooth design
- Allen, Hex and direct socket drives possible
- HSQ-SA super Alloy for heavy duty application

## Technical & Dimensional Data

Specification	HSQ-02	HSQ-05	HSQ-08	HSQ-10	HSQ-15	HSQ-20	HSQ-25	HSQ-35	HSQ-50	HSQ-70
Square Drive	3/4"	1"	1 1/2"	1 1/2"	1 1/2"	2 1/2"	2 1/2"	2 1/2"	2 1/2"	2 1/2"
Torque Min-Max Nm	164-1760	433-4332	742-7420	1015-10430	1509-15090	1940-19409	2504-26447	3309-34626	4741-47414	6925-69247
Output Accuracy	±3%	±3%	±3%	±3%	±3%	±3%	±3%	±3%	±3%	±3%
Weight Kg	2	4	7	10.6	12.9	20	25	33.8	43	52
L1 mm	130	170	202	228	237	273	287	323	351	376
L2 mm	102	140	160	184	192	223	248	256	271	295
L3 mm	182	249	286	326	336	391	433	464	494	528
H1 mm	52	70	81	90	100	110	120	138	153	162
H2 mm	77	98	125	134	144	164	187	206	217	226
H3 mm	96	127	149	172	181	206	221	258	279	291
H4 mm	133	165	184	207	216	241	256	231	315	326
R mm	25.8	34.8	39.8	46.8	50.8	56.8	59.8	70.8	76.8	78.8

